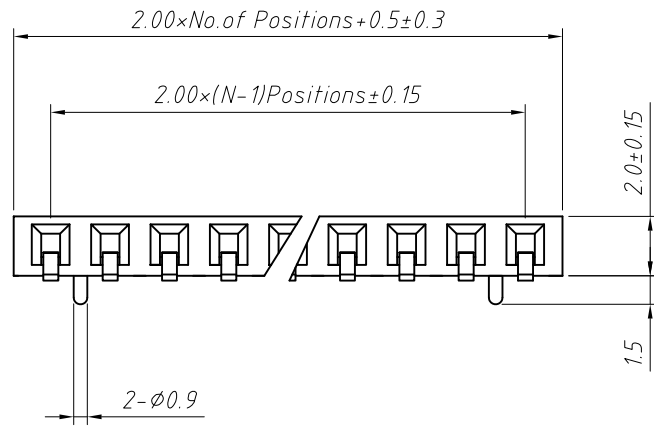
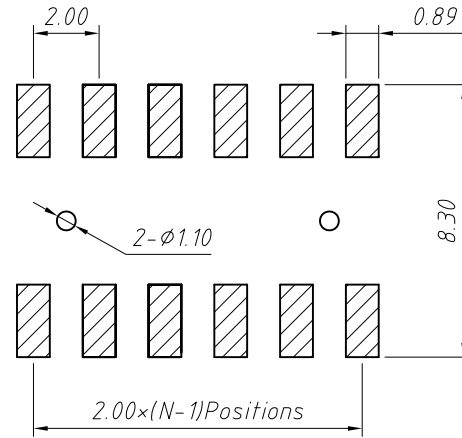


RoHS Compliance



Recommended P.C.B Layout (Top Side)
(PCB BOARD TOLERANCE±0.05)



Material:
Standard:PA6T
Contact:Phosphor Bronze
Plating:Au or Sn Over Ni
Insulator:Polyester,UL94V-0

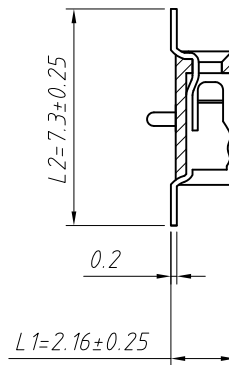
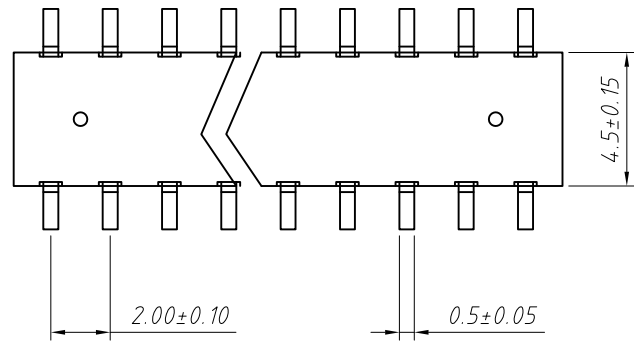
Electrical Characteristics:
Rated Current: 1.5AMP
Contact Resistance: 20mΩ Max
Withstand Voltage: 500V AC/DC
Insulator Resistance: 1000MΩ Min

Mechanical
Operating Temperature: -40°C~+105°C
Max.Processing Temp:230°C for 30-60 seconds (260°C for 10 seconds)

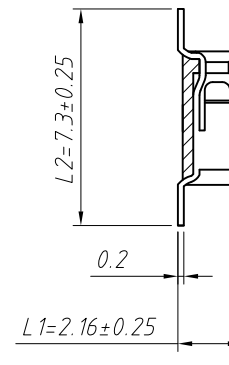
Order Information:

L-KLS1-208BP-2.0-1-XX-T-L1xL2-B-R

L: RoHS
Female Header
Series 208BP:2.00mm
Plastics Height:2.00mm
Per Row:Single layer
Pin: No. of Pins (1x40)
SMT:T=Without Post, T3=With Post
Size:L1xL2
Material:A=PBT B=PA6T C=LCP
Packing:
A=Tray T=Tube M=Reel+Mylar
P=Tube+Cap R=Reel+Cap



T3=With Post



T=Without Post

Dimension antitheses list (mm)

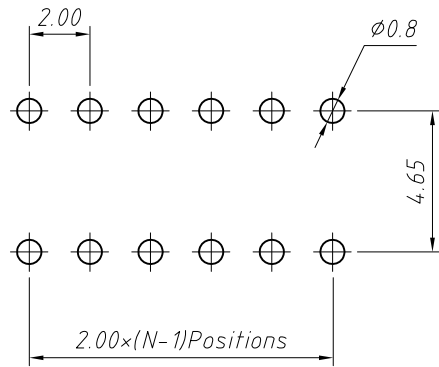
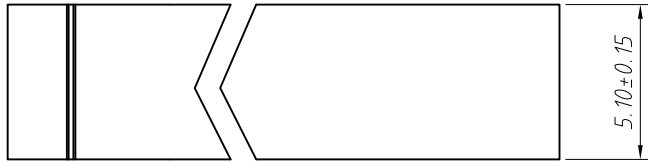
ITEM	L1	L2	Plastic Height
Standard	2.16	7.30	2.00
Nonstandard	---	---	---

ANGLE TOLERANCE	PROJECTION	Description:
±3°		2.0x2.0mm Female Header Single layer,Horizontal SMT,1xN Pin
GENERAL TOLERANCE	UNITS	mm
x.x ±0.30	SHEET SIZE	A4
x.xx ±0.20	Draw:	Daniel 2018-07-10
x.xxx ±0.10	Check:	Daniel 2018-07-10



NingBo KLS ELECTRONIC CO.,LTD.

1
RoHS Compliance

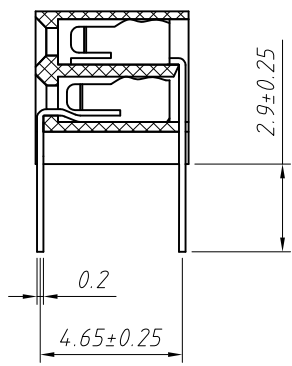
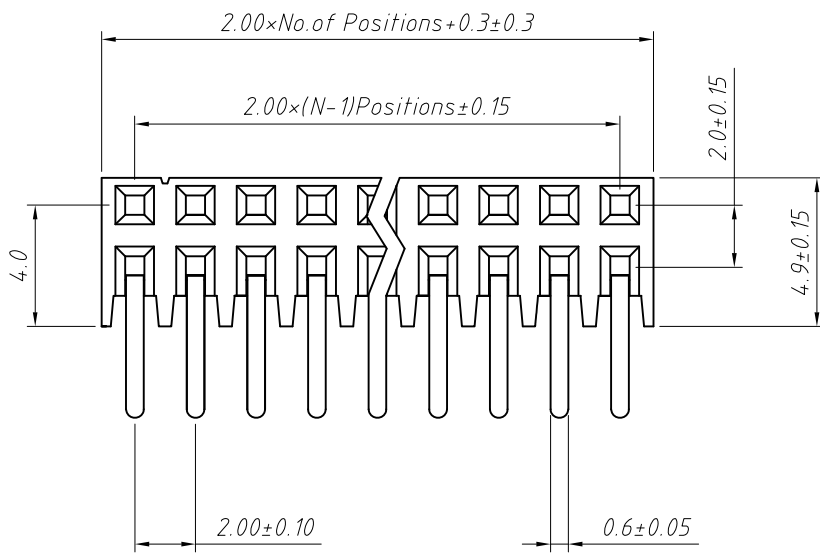


Material:
Standard:PBT/PA6T
Contact:Brass
Plating: Au or Sn Over Ni
Insulator: Polyester, UL94V-0

Electrical Characteristics:
Rated Current: 1.5AMP
Contact Resistance: 20mΩ Max
Withstand Voltage: 500V AC/DC
Insulator Resistance: 1000MΩ Min

Mechanical
Operating Temperature: -40°C ~ +105°C
Max.Processing Temp: 230°C for 30-60 seconds (260°C for 10 seconds)

Recommended P.C.B Layout (Top Side)
(PCB BOARD TOLERANCE ±0.05)



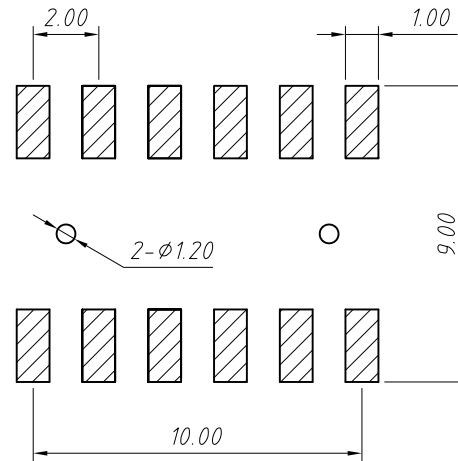
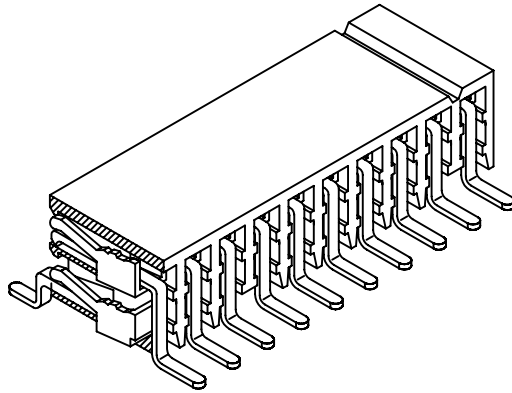
Order Information:
L-KLS1-208BP-4.9-2-XX-R-B
L: RoHS
Female Header
Series 208BP: 2.00mm
Plastics Height: 4.9mm
Per Row: Double layer
Pin: No. of Pins (02 ~ 80)
Type: 90° Side Entry
Material: A=PBT B=PA6T C=LCP

ANGLE TOLERANCE	PROJECTION	Description:	2.0x4.9mm Female Header Double layer, 90° Side Entry, 2xN Pin
±3°			
GENERAL TOLERANCE	UNITS	mm	KLS P/N:
x.x ±0.30	SHEET SIZE	A4	L-KLS1-208BP-4.9-2-XX-R-B
x.xx ±0.20	Draw:	Daniel	2018-07-10
x.xxx ±0.10	Check:	Daniel	2018-07-10



1 RoHS Compliance

Recommended P.C.B Layout (Top Side)
(PCB BOARD TOLERANCE ±0.05)



Material:
Standard: PA6T
Contact: Phosphor Bronze
Plating: Au or Sn Over 40" Ni
Insulator: Polyester, UL94V-0

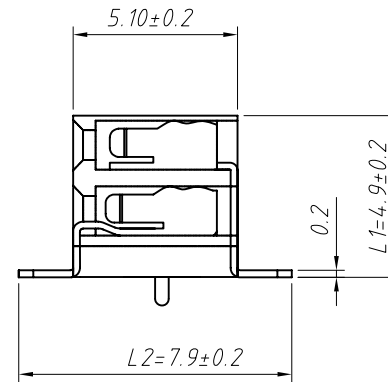
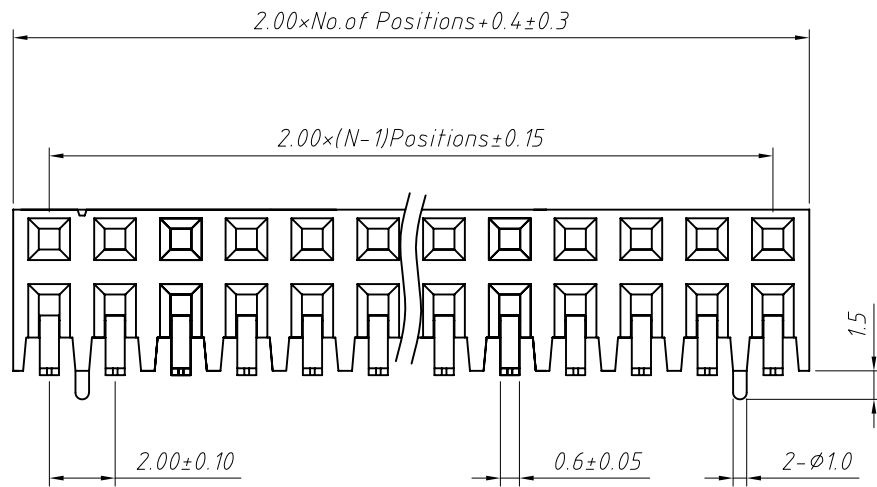
Electrical Characteristics:
Rated Current: 1.5AMP
Contact Resistance: 20mΩ Max
Withstand Voltage: 500V AC/DC
Insulator Resistance: 1000MΩ Min

Mechanical
Operating Temperature: -40°C ~ +105°C
Max. Processing Temp: 230°C for 30-60 seconds (260°C for 10 seconds)

Order Information:

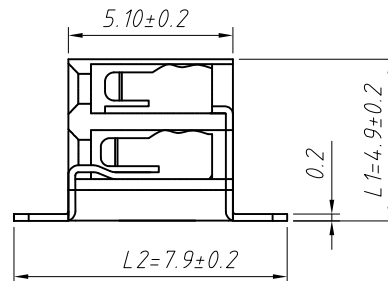
L-KLS1-208BP-4.9-2-XX-T-L1xL2-B-R

L: RoHS
Female Header
Series 208BP: 2.00mm
Plastics Height: 4.9mm
Per Row: Double layer
Pin: No. of Pins (02~80)
SMT: T=Without Post, T3=With Post
Size: L1xL2
Material: A=PBT B=PA6T C=LCP
Packing:
A=Tray T=Tube M=Reel+Mylar
P=Tube+Cap R=Reel+Cap



T=Without Post

T3=With Post



Dimension antitheses list (mm)			
ITEM	L1	L2	Plastic Height
Standard	4.90	7.90	4.90
Nonstandard	---	---	---

ANGLE TOLERANCE	PROJECTION	Description:	
±3°		2.0x4.9mm Female Header Double layer, Horizontal SMT, 2xN Pin	
GENERAL TOLERANCE	UNITS	mm	KLS P/N:
x.x ±0.30	SHEET SIZE	A4	L-KLS1-208BP-4.9-2-XX-T-L1xL2-B-R
x.xx ±0.20	Draw:	Daniel	2018-07-10
x.xxx ±0.10	Check:	Daniel	2018-07-10



NingBo KLS ELECTRONIC CO., L.TD.